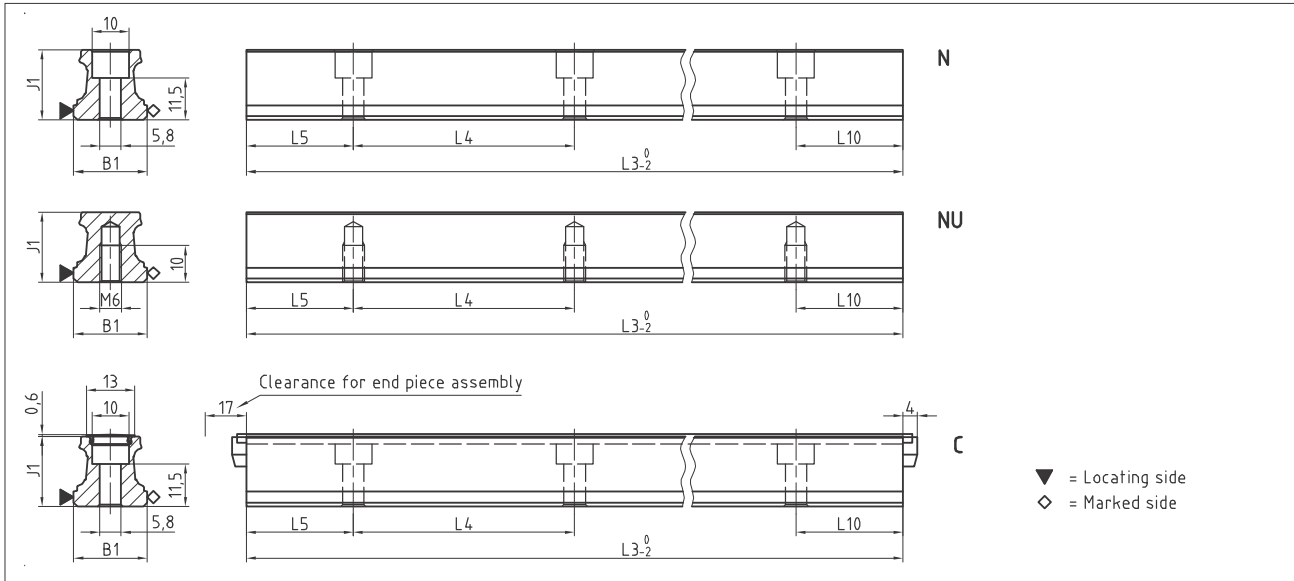
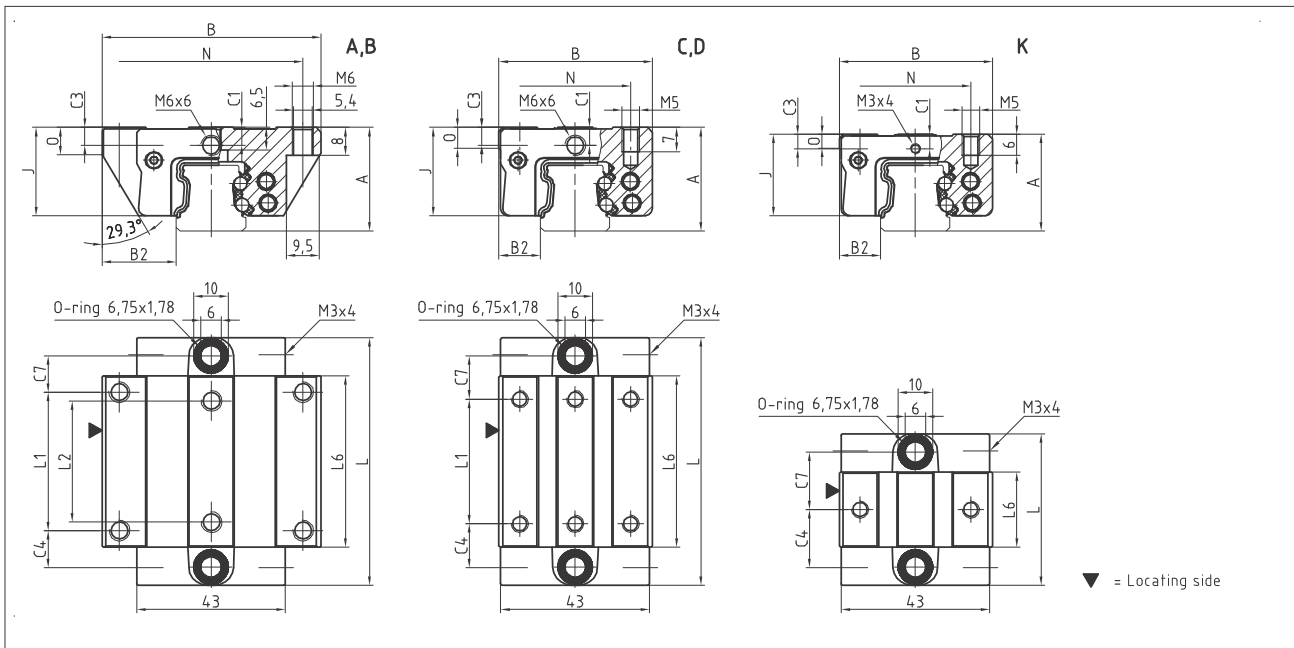


4.2 Technical data and options BM Size 20

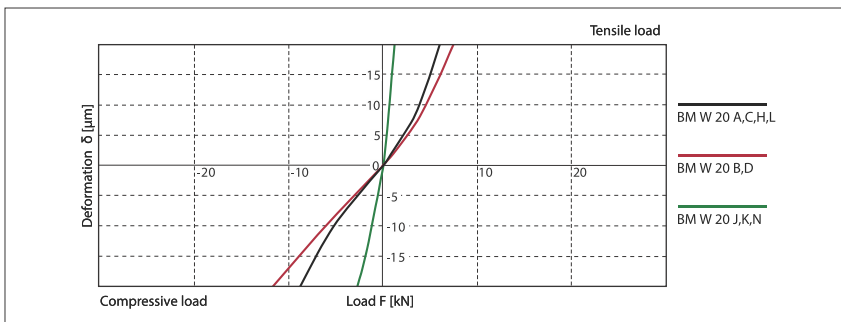
BM S 20 Drawings



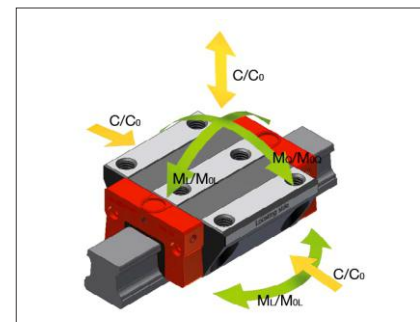
BM W 20 Drawings



BM W 20 Rigidity diagram



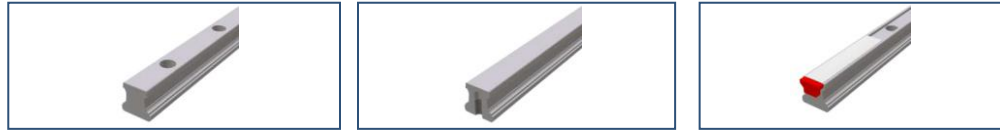
BM W 20 Load rating



4.2 Technical data and options

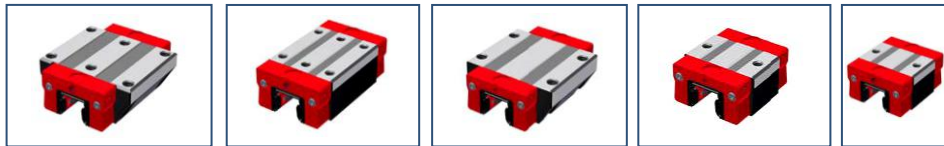
BM Size 20

BM S 20 Dimensions



مشخصات	BM S 20-N	BM S 20-NU	BM S 20-C
B1: Rail width	20	20	20
J1: Rail height	19	19	19
L3: Rail length max.	3000	3000	3000
L4: Spacing of fixing holes	60	60	60
L5/L10: Position of first/last fixing hole	28.5	28.5	28.5
Gew.: Rail weight, specific (kg/m)	2.2	2.3	2.1
قیمت	دلار		
	تومان		

BM W 20 Dimensions and capacities



مشخصات	BM W 20-A	BM W 20-B	BM W 20-C	BM W 20-D	BM W 20-H	BM W 20-J	BM W 20-K	BM W 20-L	BM W 20-N
A: System height	30	30	30	30	28	28	28	28	30
B: Carriage width	63	63	44	44	59	59	44	42	44
B2: Distance between locating faces	21.5	21.5	12	12	19.5	19.5	12	11	12
C1: Position of center front lube hole	5.2	5.2	5.2	5.2	4	4	4	4	5.2
C3: Position of lateral lube hole	5.2	5.2	5.2	5.2	3.2	3.2	3.2	3.2	5.2
C4: Position of lateral lube hole	10.8	18.8	12.8	13.8	14.8	18.9	18.9	14.8	18.9
C7: Position of top lube hole	10.3	18.3	12.3	13.3	14.3	18.4	18.4	14.3	18.4
J: Carriage height	25.5	25.5	25.5	25.5	23.5	23.5	23.5	23.5	25.5
L: Carriage length	71.5	87.5	71.5	87.5	71.5	47.7	47.7	71.5	47.7
L1: Exterior fixing hole spacing	40	40	36	50	32	-	-	32	-
L2: Interior fixing hole spacing	35	35	-	-	-	-	-	-	-
L6: Steel body length	49.5	65.5	49.5	65.5	49.5	25.7	25.7	49.5	25.7
N: Lateral fixing hole spacing	53	53	32	32	49	49	32	32	32
O: Reference face height	8.5	8.5	6.5	6.5	10	10	6.5	6.5	6.5
P: Connecting thread (MxL)	6x6	6x6	6x6	6x6	3x5.5	3x5.5	3x5.5	3x5.5	6x6
Capacities and weights									
C0: Static load capacity (N)	31400	41100	31400	41100	31400	13100	13100	31400	13100
C100: Dynamic load capacity (N)	14400	17400	14400	17400	14400	8400	8400	14400	8400
M0Q: Static cross moment capacity (Nm)	373	490	373	490	373	150	150	373	150
M0L: Static longitud. moment capacity (Nm)	292	495	292	495	292	58	58	292	58
MQ: Dyn. cross moment capacity (Nm)	171	206	171	206	171	99	99	171	99
ML: Dyn. longitud. moment capacity (Nm)	134	208	134	208	134	37	37	134	37
Gew: Carriage weight (kg)	0.5	0.6	0.4	0.5	0.4	0.3	0.3	0.4	0.3
قیمت	دلار								
	تومان								